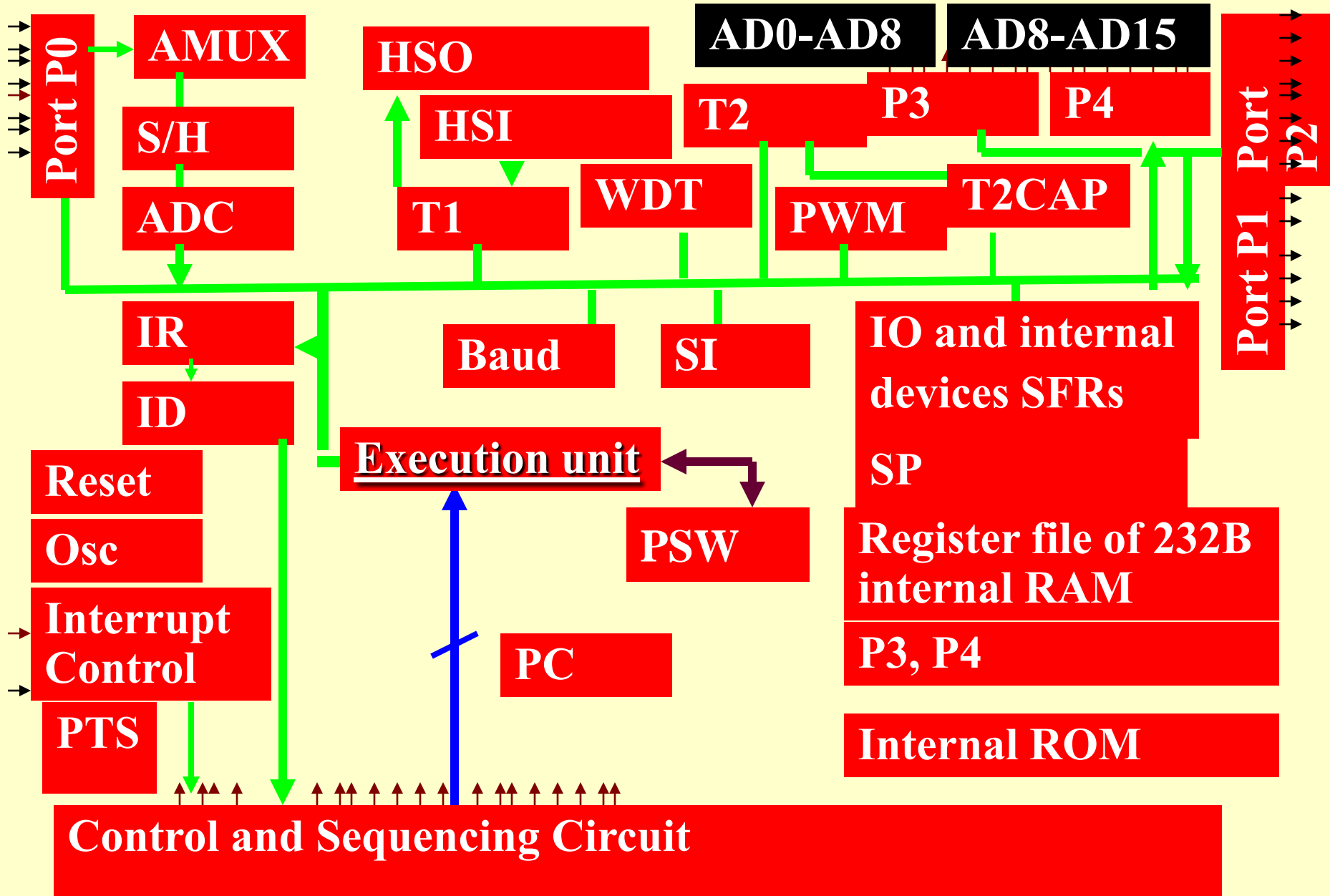


Chapter 14

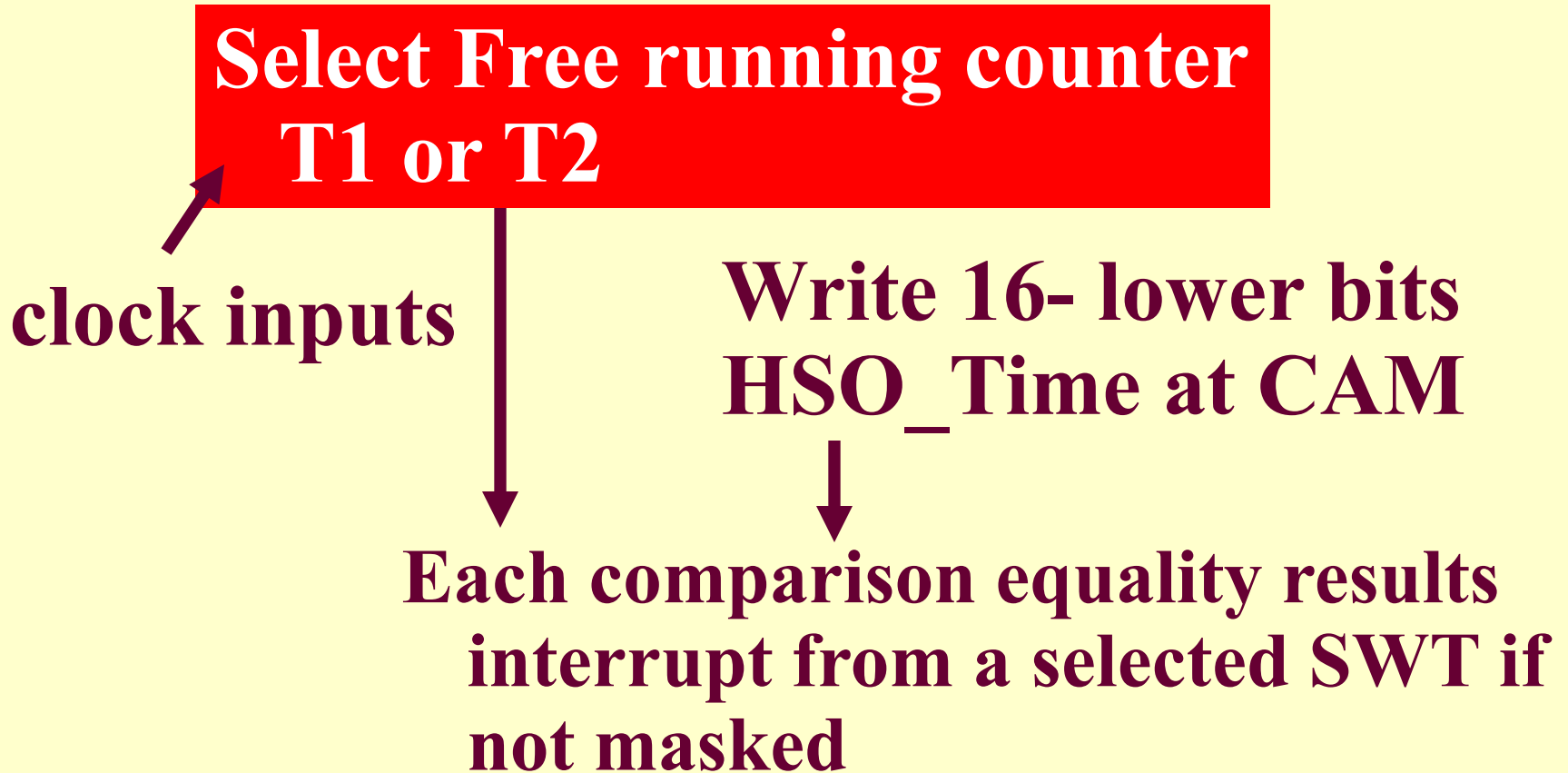
80x96 Family Microcontrollers



Lesson 08 Part d

Software Timers

Setting of Software Timers (SWTs) Real Time Interrupts periods



HSO_Command 8-bits

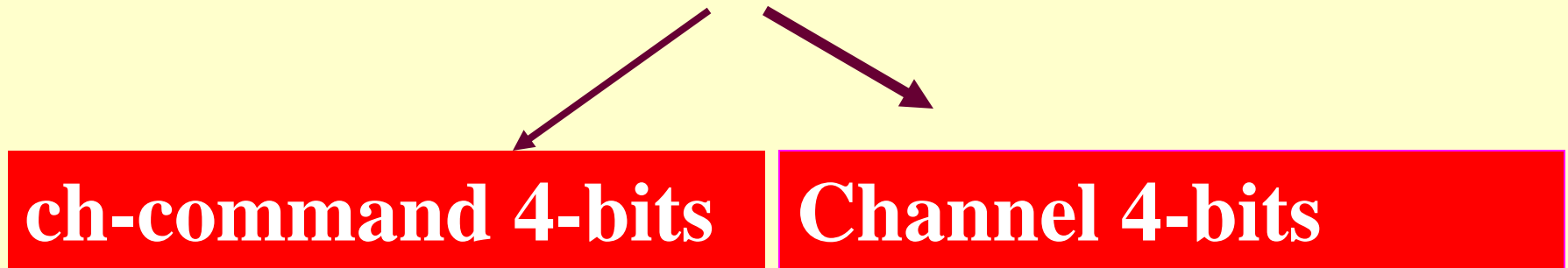
**Write
8- bits**

Software Interrupt Vectors

- Each comparison equality results interrupt from a selected SWT if not masked and the ISR pointed by the interrupt vector executed

SWT enabling

8-upper bits for CAM Command-channel for SWT



**1000:SWT0, 1001:SWT1; 1010:SWT2;
1011:SWT3;**

SWT Interrupt Flags (SWT timer successful comparison)

16H

Read

IOS1.3 to .0 four bits

SWTF four lower bits at IOS1



Summary

We learnt

- Four SWTs Interrupts

End of Lesson 8 Part d on **Software Timers**