

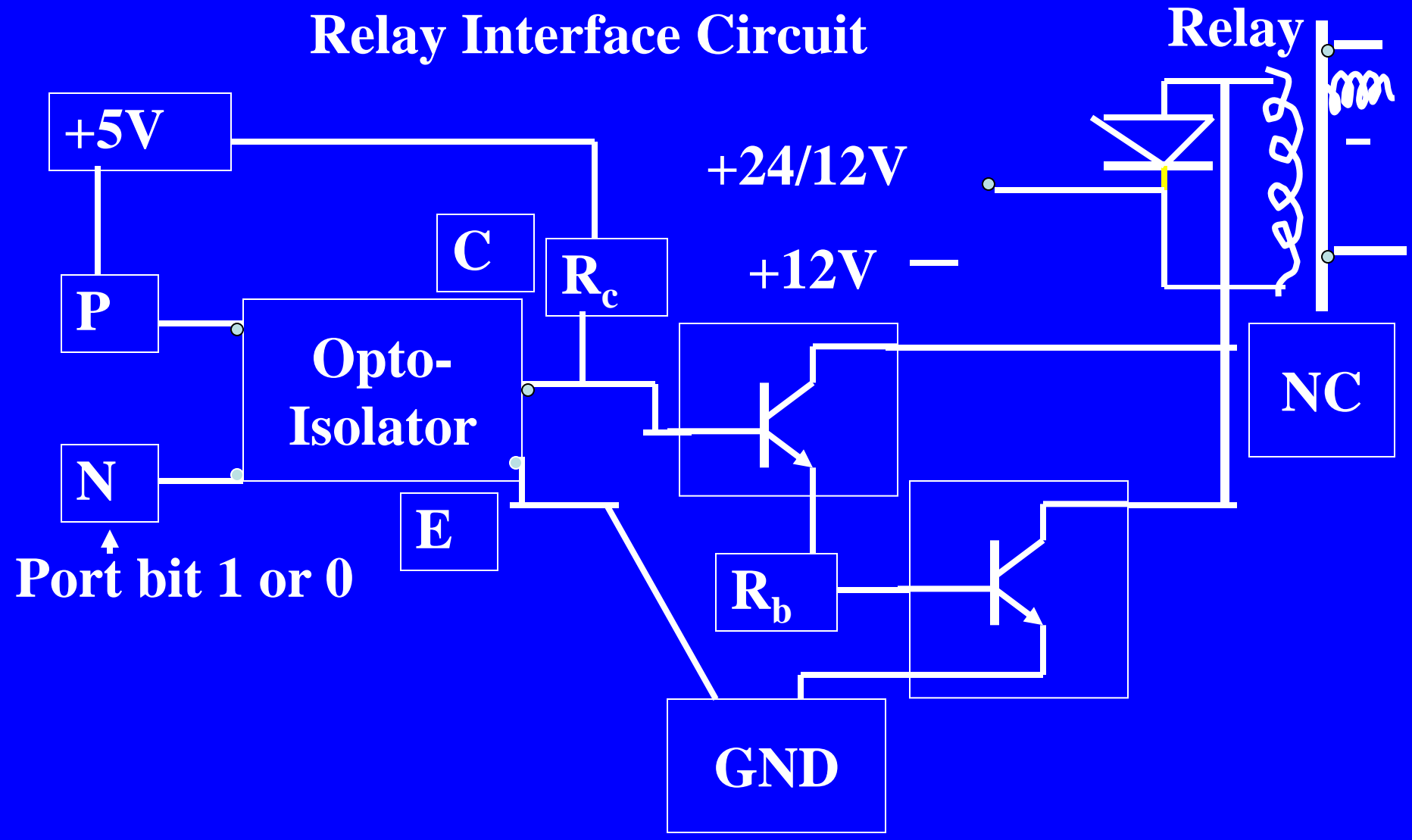
# Chapter 8

## Digital and Analog Interfacing Methods

# Lesson 9 Part c

## Relay

# Relay Interface Circuit



# Summary

# We learnt

## Relay Coil Circuit

- Uses Reverse biased diode across coil
- Darlington Transistor Pair for High coil Currents
- Invertors-buffers and transistor for low coil Currents

# End of Lesson 9 Part c

Opto-Isolator, Coil, Relay, Speaker, Music  
Play box and Stepper Motor Interfaces